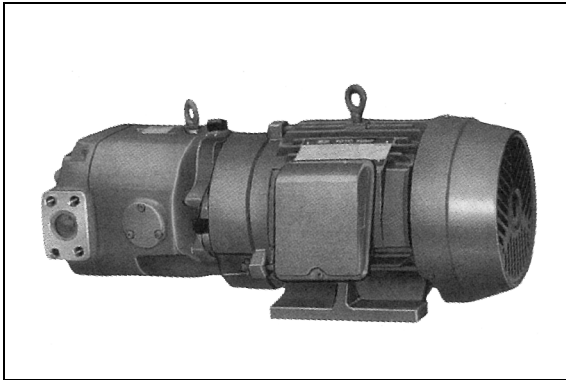


TOYO PUMP (HBP**)



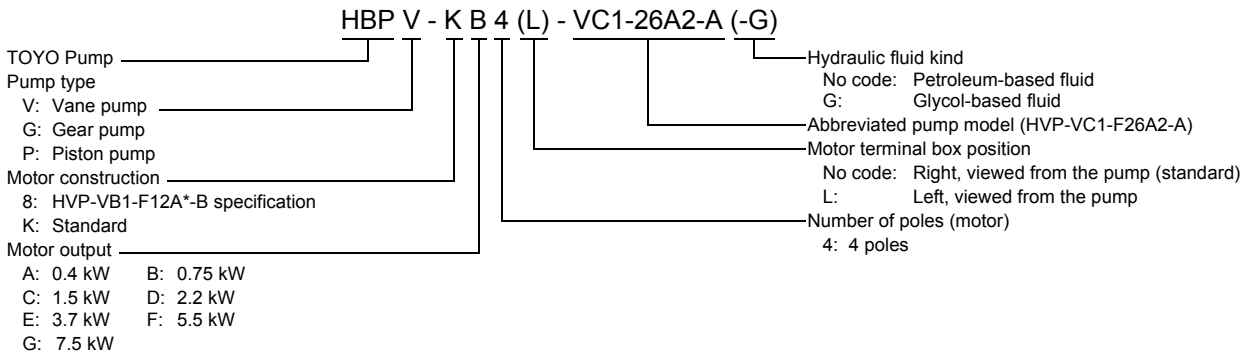
This type of pump consists of a pump and a motor, directly connected in one assembly.

Thanks to the configuration of the pump, machining of the motor mounting base and shaft aligning work are not necessary.

FEATURES

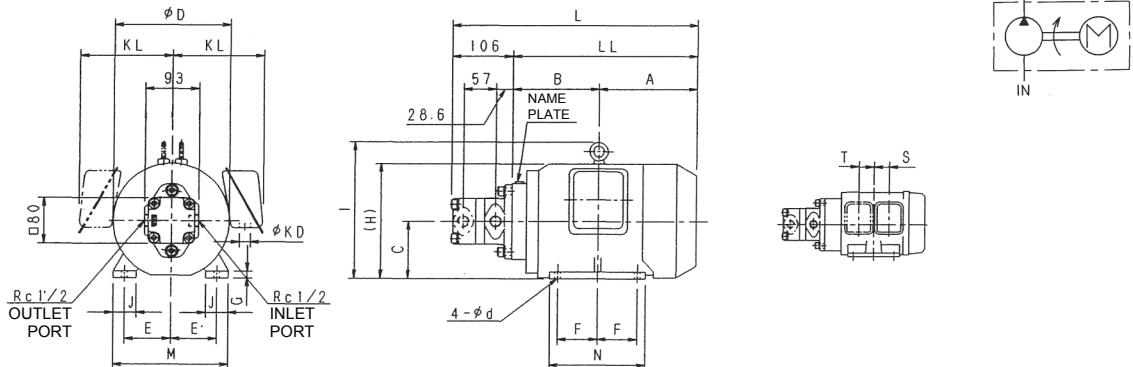
1. The pump is compact and requires only a small installation area.
 2. Coupling is not necessary since the pump is directly connected to the motor.
 3. Center alignment work is not necessary after replacing a pump.
- The motor to be used is a totally-enclosed fan cooled type 3-phase induction motor.
 - The standard power to be supplied to the motor is 200 VAC 50/60Hz or 220 VAC 60 Hz.
 - The standard terminal box position of the motor is the right side viewed from the pump.
 - For the pump specifications, refer to the specifications of the individual pump.
 - Use the MODEL DESIGNATION form when ordering the pump.
 - For CE compatibility, please consult us.

MODEL DESIGNATION



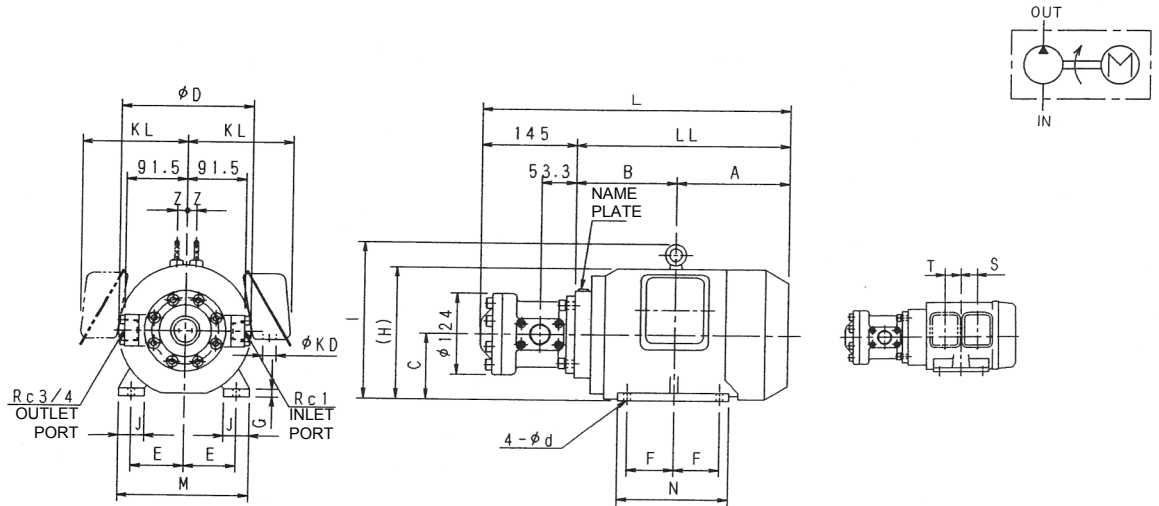
EXTERNAL DIMENSIONS (VANE PUMP)

- HBPV-K**(L)-FA1-*R-A



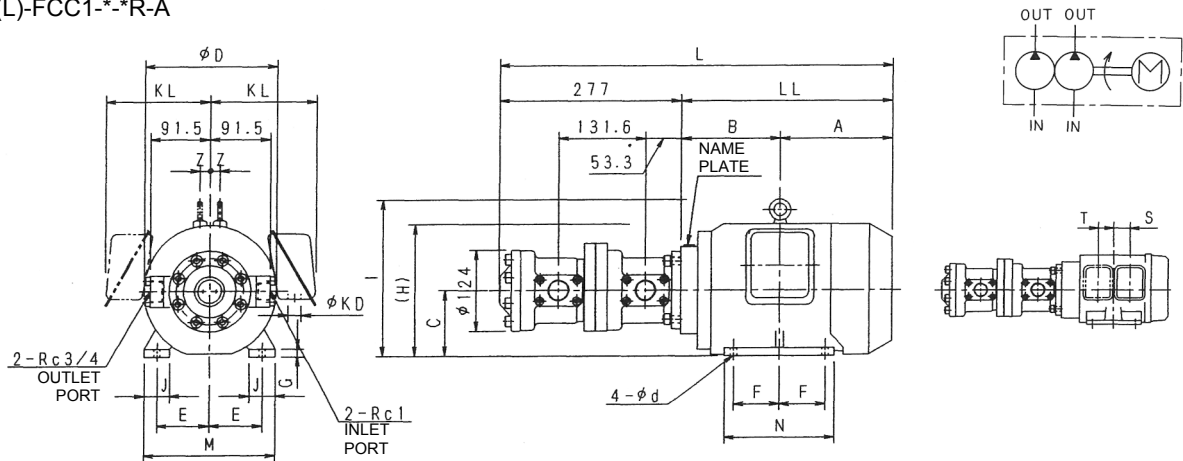
Model	A	B	C	D	E	F	G	I (H)	J	L	LL	M	N	KD	KL	d	T S	Mass (kg)
HBPV-KB4(L)-FA1-*R-A	126.5	120	80	161	62.5	50	9	(163)	35	352.5	246.5	160	127	22	128	10 × 20	37	18
HBPV-KC4(L)-FA1-*R-A	143	135.5	90	198	70	62.5	10	(190)	40	384.5	278.5	176	150	27	147	10 × 12	-	24.7
HBPV-KD4(L)-FA1-*R-A	157.5	150	100	198	80	70	12	(200)	40	413.5	307.5	200	168	27	147	12 × 14	-	30.7

● HBPV-K**(L)-FC1-*R-A



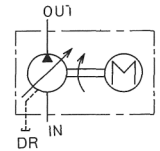
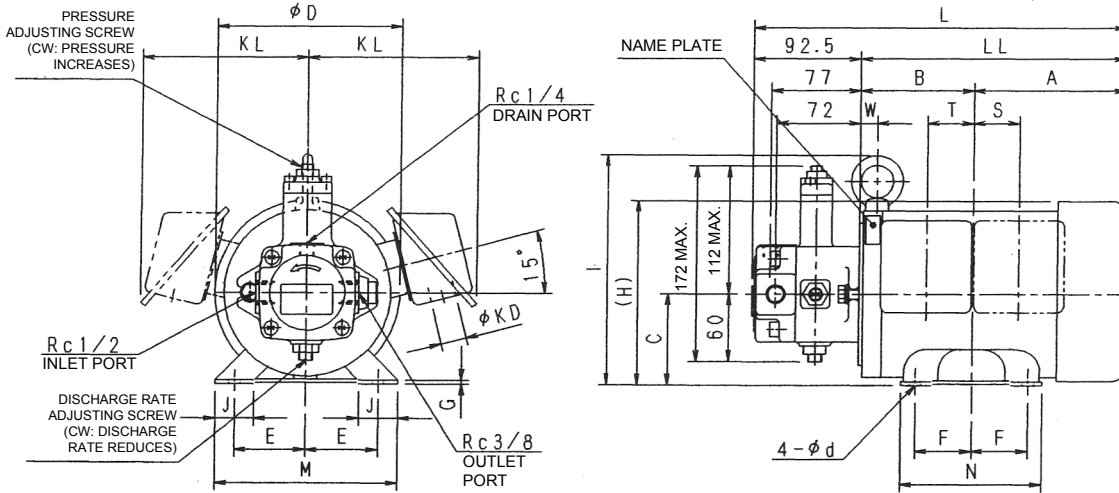
Model	A	B	C	D	E	F	G	I (H)	J	L	LL	M	N	KD	KL	d	T S	Z	Mass (kg)
HBPV-KB4(L)-FC1-*R-A	126.5	120	80	161	62.5	50	9	(163)	35	391.5	246.5	160	127	22	128	10 × 20	37	-	22
HBPV-KC4(L)-FC1-*R-A	143	135.5	90	198	70	62.5	10	(190)	40	423.3	278.5	176	150	27	147	10 × 12	-	-	28.5
HBPV-KD4(L)-FC1-*R-A	157.5	150	100	198	80	70	12	(200)	40	452.3	307.5	200	168	27	147	12 × 14	-	-	35.5
HBPV-KE4(L)-FC1-*R-A	186	150	112	214	95	70	12	261	40	480.8	336	220	168	27	154	12 × 14	-	0	37.5
HBPV-KF4(L)-FC1-*R-A	210.5	160	132	252	108	70	15	303	50	515.3	370.5	260	175	35	189	12 × 14	-	0	48.5

● HBPV-K**(L)-FCC1-*R-A



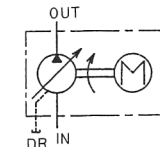
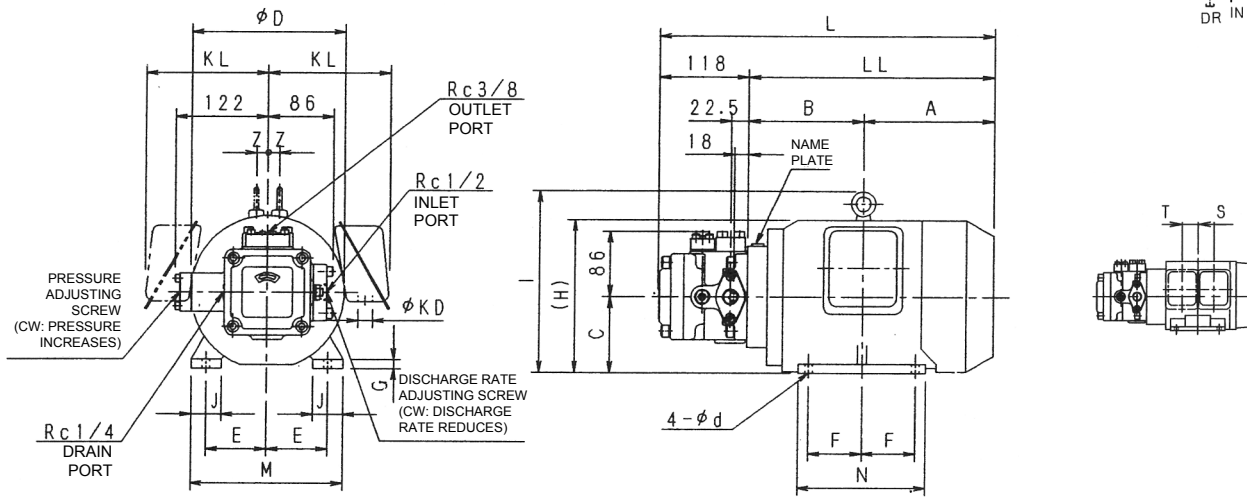
Model	A	B	C	D	E	F	G	I (H)	J	L	LL	M	N	KD	KL	d	T S	Z	Mass (kg)
HBPV-KB4(L)-FCC1-*R-A	126.5	120	80	161	62.5	50	9	(163)	35	523.5	246.5	160	127	22	128	10 × 20	37	-	33.5
HBPV-KC4(L)-FCC1-*R-A	143	135.5	90	198	70	62.5	10	(190)	40	554.8	278.5	176	150	27	147	10 × 12	-	-	40
HBPV-KD4(L)-FCC1-*R-A	157.5	150	100	198	80	70	12	(200)	40	583.8	307.5	200	168	27	147	12 × 14	-	-	47
HBPV-KE4(L)-FCC1-*R-A	186	150	112	214	95	70	12	261	40	612.8	336	220	168	27	154	12 × 14	-	0	49
HBPV-KF4(L)-FCC1-*R-A	210.5	160	132	252	108	70	15	303	50	646.8	370.5	260	175	35	189	12 × 14	-	0	60

● HBPV-8*4(L)-VB1-12A*-B



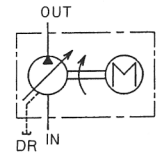
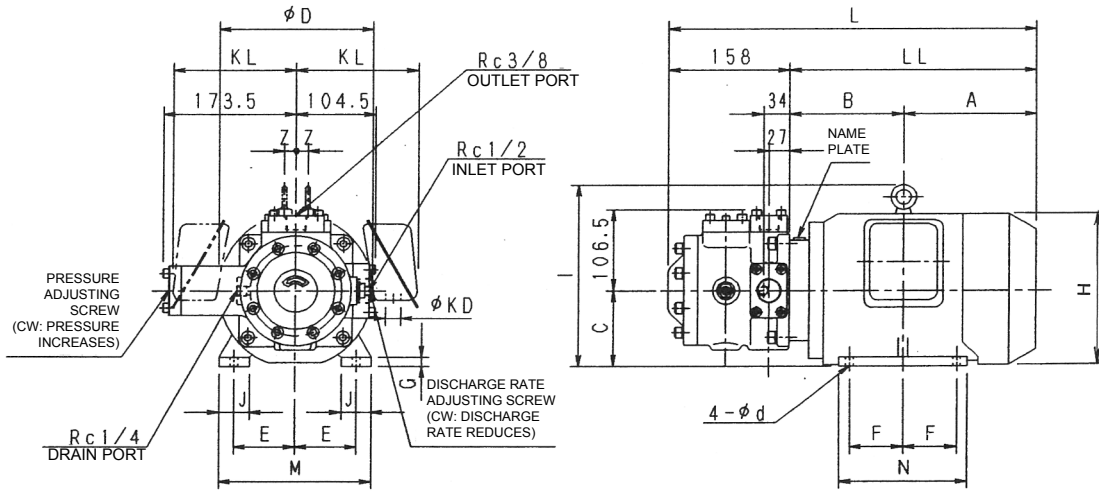
Model	A	B	C	D	E	F	G	I (H)	J	L	LL	M	N	KD	KL	d	S	T	W	Mass (kg)
HBPV-8B4(L)-VB1-12A*-B	134	100	80	162	62.5	50	3.2	(161)	37.5	326.5	234	160	125	22	145	10	41	41	-	18.1
HBPV-8C4(L)-VB1-12A*-B	159.5	118.5	90	183	70	62.5	3.2	210	43	370.5	278	175	155	22	150	10	50	50	15	25.5

● HBPV-K**(L)-VC1-26A*-B(-G)



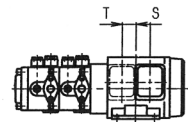
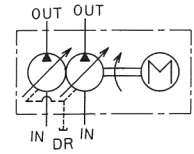
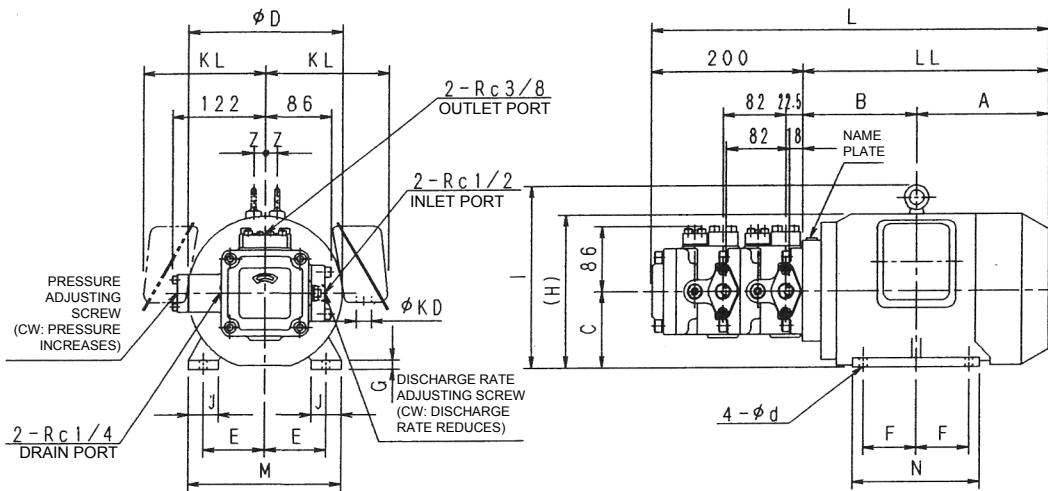
Model	A	B	C	D	E	F	G	I (H)	J	L	LL	M	N	KD	KL	d	T	S	Z	Mass (kg)
HBPV-KB4(L)-VC1-26A*-B	126.5	120	80	161	62.5	50	9	(163)	35	364.5	246.5	160	127	22	128	10 × 20	37	37	24	
HBPV-KC4(L)-VC1-26A*-B	143	135.5	90	198	70	62.5	10	(190)	40	396.5	278.5	176	150	27	147	10 × 12	-	-	30.2	
HBPV-KD4(L)-VC1-26A*-B	157.5	150	100	198	80	70	12	(200)	40	425.5	307.5	200	168	27	147	12 × 14	-	-	37.2	
HBPV-KE4(L)-VC1-26A*-B	186	150	112	214	95	70	12	261	40	454	336	220	168	27	154	12 × 14	-	0	39.2	

● HBPV-K**(L)-VD1-45A*-B



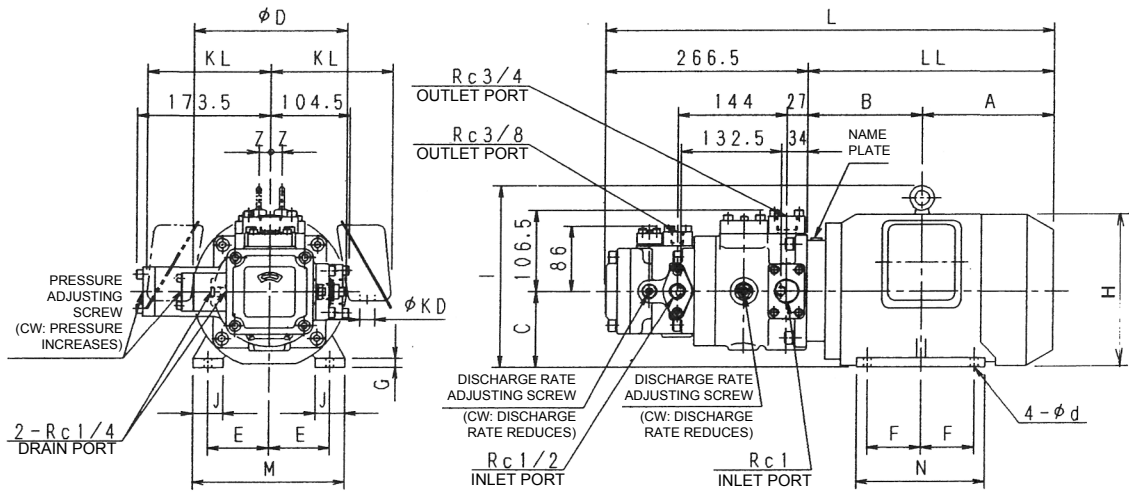
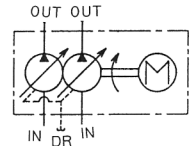
Model	A	B	C	D	E	F	G	I (H)	J	L	LL	M	N	KD	KL	d	Z	Mass (kg)
HBPV-KD4(L)-VD1-45A*-B	157.5	150	100	198	80	70	12	(200)	40	465.5	307.5	200	168	27	147	12 × 14	-	48.1
HBPV-KE4(L)-VD1-45A*-B	186	150	112	214	95	70	12	261	40	494	336	220	168	27	154	12 × 14	0	50.1

● HBPV-K**(L)-VCC1-26-26A*A*-B



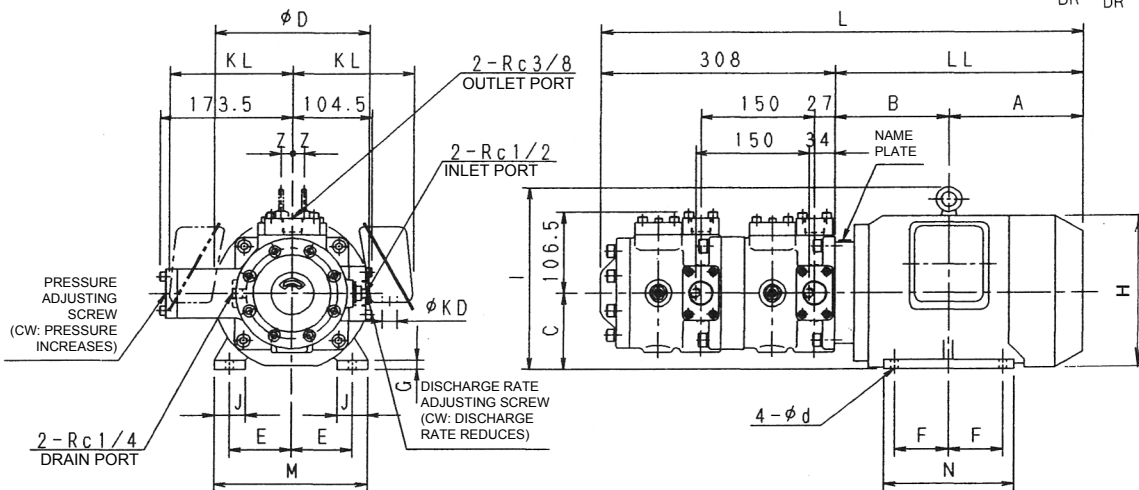
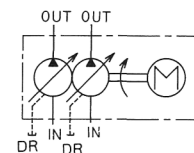
Model	A	B	C	D	E	F	G	I (H)	J	L	LL	M	N	KD	KL	d	T S	Z	Mass (kg)
HBPV-KB4(L)-VCC1-26-26A*A*-B	126.5	120	80	161	62.5	50	9	(163)	35	446.5	246.5	160	127	22	128	10 × 20	37	-	36
HBPV-KC4(L)-VCC1-26-26A*A*-B	143	135.5	90	198	70	62.5	10	(190)	40	478.5	278.5	176	150	27	147	10 × 12	-	-	37.7
HBPV-KD4(L)-VCC1-26-26A*A*-B	157.5	150	100	198	80	70	12	(200)	40	507.5	307.5	200	168	27	147	12 × 14	-	-	44.7
HBPV-KE4(L)-VCC1-26-26A*A*-B	186	150	112	214	95	70	12	261	40	536	336	220	168	27	154	12 × 14	-	0	46.7

● HBPV-K**(L)-VCD1-26-45A*A*-B



Model	A	B	C	D	E	F	G	I (H)	J	L	LL	M	N	KD	KL	d	Z	Mass (kg)
HBPV-KD4(L)-VCD1-26-45A*A*-B	157.5	150	100	198	80	70	12	(200)	40	574	307.5	200	168	27	147	12 × 14	-	58.5
HBPV-KE4(L)-VCD1-26-45A*A*-B	186	150	112	214	95	70	12	261	40	602.5	336	220	168	27	154	12 × 14	0	60.5

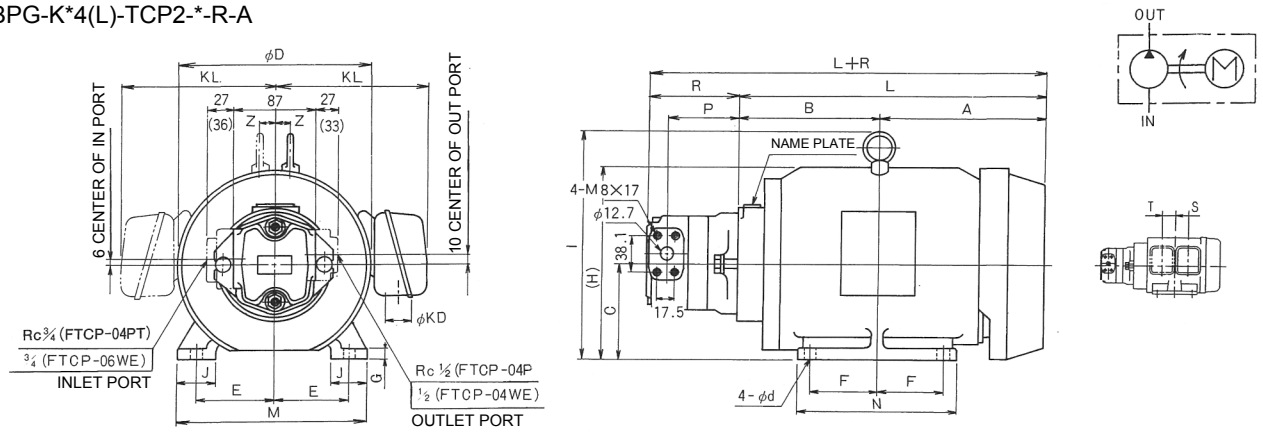
● HBPV-K**(L)-VDD1-45-45A*A*-B



Model	A	B	C	D	E	F	G	I (H)	J	L	LL	M	N	KD	KL	d	Z	Mass (kg)
HBPV-KD4(L)-VDD1-45-45A*A*-B	157.5	150	100	198	80	70	12	(200)	40	615.5	307.5	200	168	27	147	12 × 14	-	70.8
HBPV-KE4(L)-VDD1-45-45A*A*-B	186	150	112	214	95	70	12	261	40	644	336	220	168	27	154	12 × 14	0	72.8

EXTERNAL DIMENSIONS (GEAR PUMP)

● HBPB-K*4(L)-TCP2-*R-A

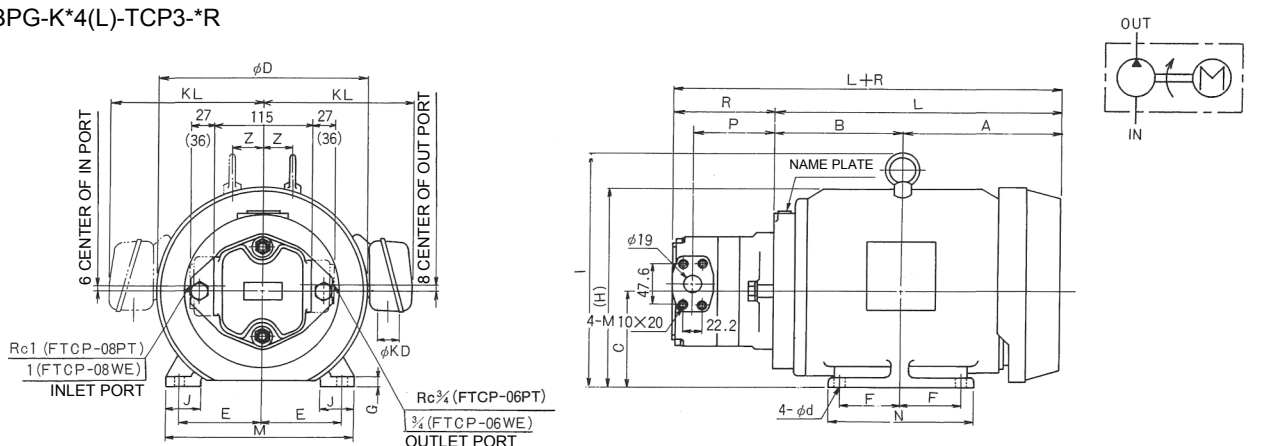


NOTE: DIMENSIONS IN PARENTHESES ARE THE DIMENSIONS OF THE WELDING TYPE FLANGE AND THOSE NOT IN PARENTHESES ARE THE DIMENSIONS OF THE RC THREAD TYPE FLANGE.
 ● FOR THE PIPING FLANGE DIMENSION TABLE, REFER TO PAGE 30.

Model	A	B	C	D	E	F	G	I (H)	J	L	M	N	KD	KL	d	S	T	z	Mass (kg)
HBPB-KB4(L)-TCP2-*R-A	126.5	120	80	161	62.5	50	9	(163)	35	296.5	160	127	22	128	10	37	37	-	16
HBPB-KC4(L)-TCP2-*R-A	143	135.5	90	198	70	62.5	10	(190)	40	278.5	176	150	27	147	10 × 12	-	-	-	22.8
HBPB-KD4(L)-TCP2-*R-A	157.5	150	100	198	80	70	12	(200)	40	307.5	200	168	27	147	12 × 14	-	-	-	28.8
HBPB-KE4(L)-TCP2-*R-A	186	150	112	214	95	70	12	261	40	336	220	168	27	154	12 × 14	-	-	0	31.8
HBPV-KF4(L)-TCP2-*R-A	210.5	160	132	252	108	70	15	303	50	370.5	260	175	35	189	12 × 14	-	-	0	42.8

Discharge Rate (cm ³ /rev)	P	R
5	64	85
6.3	66.5	87.5
8	70	91
10	74	95

● HBPB-K*4(L)-TCP3-*R

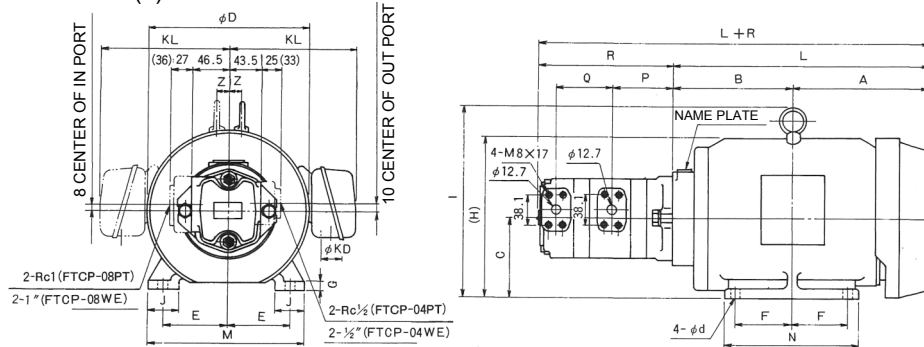


NOTE: DIMENSIONS IN PARENTHESES ARE THE DIMENSIONS OF THE WELDING TYPE FLANGE AND THOSE NOT IN PARENTHESES ARE THE DIMENSIONS OF THE RC THREAD TYPE FLANGE.
 ● FOR THE PIPING FLANGE DIMENSION TABLE, REFER TO PAGE 30.

Model	A	B	C	D	E	F	G	I (H)	J	L	M	N	KD	KL	d	Z	Mass (kg)
HBPB-KE4(L)-TCP3-*R	186	150	112	214	95	70	12	261	40	336	220	168	27	154	12 × 14	0	33.9
HBPB-KF4(L)-TCP3-*R	210.5	170	132	252	108	70	15	303	50	380.5	260	175	35	189	12 × 14	0	50.9

Discharge Rate (cm ³ /rev)	P	R
12.5	81	106
16	84.5	109.5
20	89	114
25	94	119

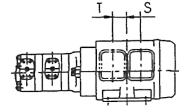
● HBPB-K*(L)-TCP22-**R-A



Model	P	Q	R
TCP22-F5.5-MR1-A	68	58	156
TCP22-F5.6.3-MR1-A	70.5		158.5
TCP22-F5.8-MR1-A	74		162
TCP22-F5.10-MR1-A	78	60.5	166
TCP22-F6.3.6.3-MR1-A	70.5		161
TCP22-F6.3.8-MR1-A	74		164.5
TCP22-F6.3.10-MR1-A	78	64	168.5
TCP22-F8.8-MR1-A	74		168
TCP22-F8.10-MR1-A	78		172
TCP22-F10.10-MR1-A	78	68	176

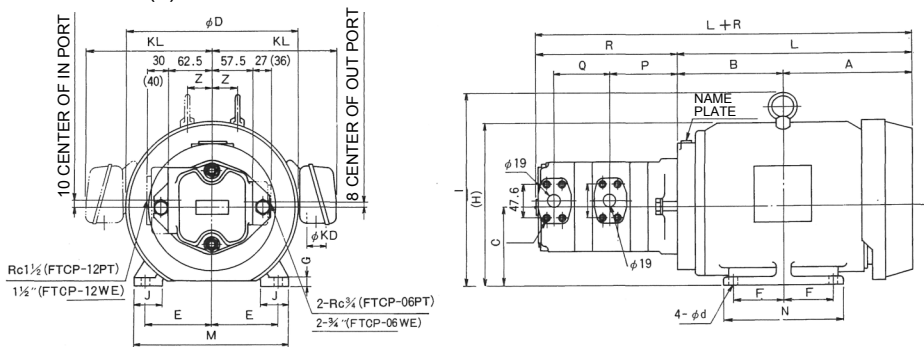
NOTE: DIMENSIONS IN PARENTHESES ARE THE DIMENSIONS OF THE WELDING TYPE FLANGE AND THOSE NOT IN PARENTHESES ARE THE DIMENSIONS OF THE RC THREAD TYPE FLANGE.

● FOR THE PIPING FLANGE DIMENSION TABLE, REFER TO PAGE 30.



Model	A	B	C	D	E	F	G	I (H)	J	L	M	N	KD	KL	d	S	T	Z	Mass (kg)
HBPB-KB4(L)-TCP22-**R-A	126.5	120	80	161	62.5	50	9	(163)	35	246.5	160	127	22	128	10	37	37	-	19
HBPB-KC4(L)-TCP22-**R-A	143	135.5	90	198	70	62.5	10	(190)	40	278.5	176	150	27	147	10 × 12	-	-	-	25.2
HBPB-KD4(L)-TCP22-**R-A	157.5	150	100	198	80	70	12	(200)	40	307.5	200	168	27	147	12 × 14	-	-	-	31.2
HBPB-KE4(L)-TCP22-**R-A	186	150	112	214	95	70	12	261	40	336	220	168	27	154	12 × 14	-	-	0	34.2
HBPB-KF4(L)-TCP22-**R-A	210.5	160	132	252	108	70	15	303	50	370.5	260	175	35	189	12 × 14	-	-	0	45.2

● HBPB-K*4(L)-TCP23-**R



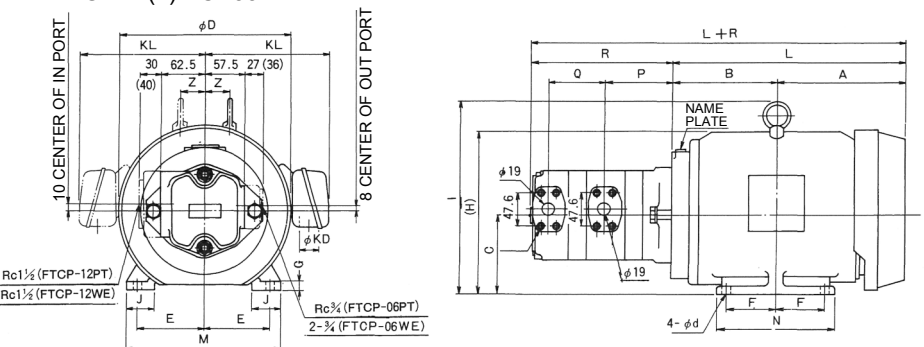
Model	P	Q	R
TCP23-F5.12.5-MR1	88	67	183
TCP23-F5.16-MR1	91.5		186.5
TCP23-F5.20-MR1	96		191
TCP23-F5.25-MR1	101	69.5	196
TCP23-F6.3.12.5-MR1	88		185.5
TCP23-F6.3.16-MR1	91.5		189
TCP23-F6.3.20-MR1	96	73	193.5
TCP23-F6.3.25-MR1	101		198.5
TCP23-F8.12.5-MR1	88		189
TCP23-F8.16-MR1	91.5	77	192.5
TCP23-F8.20-MR1	96		197
TCP23-F8.25-MR1	101		202
TCP23-F10.12.5-MR1	88	77	193
TCP23-F10.16-MR1	91.5		196.5
TCP23-F10.20-MR1	96		201
TCP23-F10.25-MR1	101	77	206

NOTE: DIMENSIONS IN PARENTHESES ARE THE DIMENSIONS OF THE WELDING TYPE FLANGE AND THOSE NOT IN PARENTHESES ARE THE DIMENSIONS OF THE RC THREAD TYPE FLANGE.

● FOR THE PIPING FLANGE DIMENSION TABLE, REFER TO PAGE 30.

Model	A	B	C	D	E	F	G	I (H)	J	L	M	N	KD	KL	d	Z	Mass (kg)
HBPB-KE4(L)-TCP23-**R	186	150	112	214	95	70	12	261	40	336	220	168	27	154	12 × 14	0	36.9
HBPB-KF4(L)-TCP23-**R	210.5	170	132	252	108	70	15	303	50	380.5	260	175	35	189	12 × 14	-	53.9

● HBPB-K*4(L)-TCP33-**R



Model	P	Q	R
TCP33-F12.5.12.5-MR1	88	76	197.5
TCP33-F12.5.16MR1	91.5		201
TCP33-F12.5.20-MR1	96		205.5
TCP33-F12.5.25-MR1	101	79.5	210.5
TCP33-F16.16-MR1	91.5		204.5
TCP33-F16.20-MR1	96		209
TCP33-F16.25-MR1	101	84	214
TCP33-F20.20-MR1	96		213.5
TCP33-F20.25-MR1	96		218.5
TCP33-F25.25-MR1	101	89	223.5

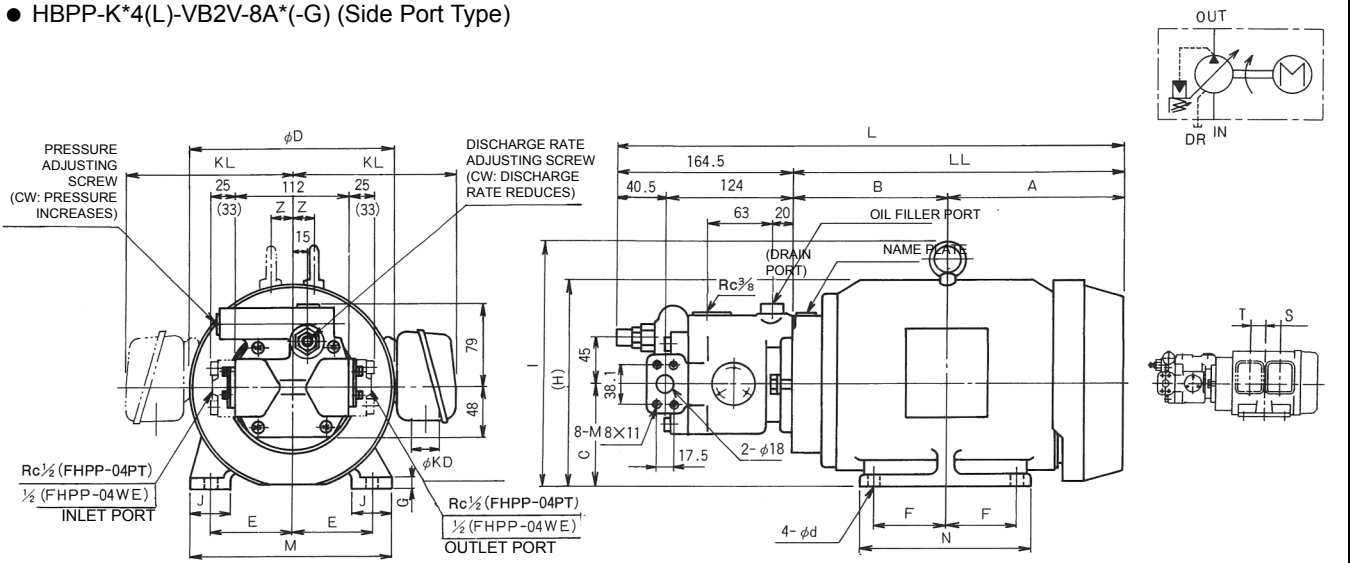
NOTE: DIMENSIONS IN PARENTHESES ARE THE DIMENSIONS OF THE WELDING TYPE FLANGE AND THOSE NOT IN PARENTHESES ARE THE DIMENSIONS OF THE RC THREAD TYPE FLANGE.

● FOR THE PIPING FLANGE DIMENSION TABLE, REFER TO PAGE 30.

Model	A	B	C	D	E	F	G	I (H)	J	L	M	N	KD	KL	d	Z	Mass (kg)
HBPB-KE4(L)-TCP33-**R	186	150	112	214	95	70	12	261	40	336	220	168	27	154	12 × 14	0	38.7
HBPB-KF4(L)-TCP33-**R	210.5	170	132	252	108	70	15	303	50	380.5	260	175	35	189	12 × 14	-	55.7

EXTERNAL DIMENSIONS (PISTON PUMP)

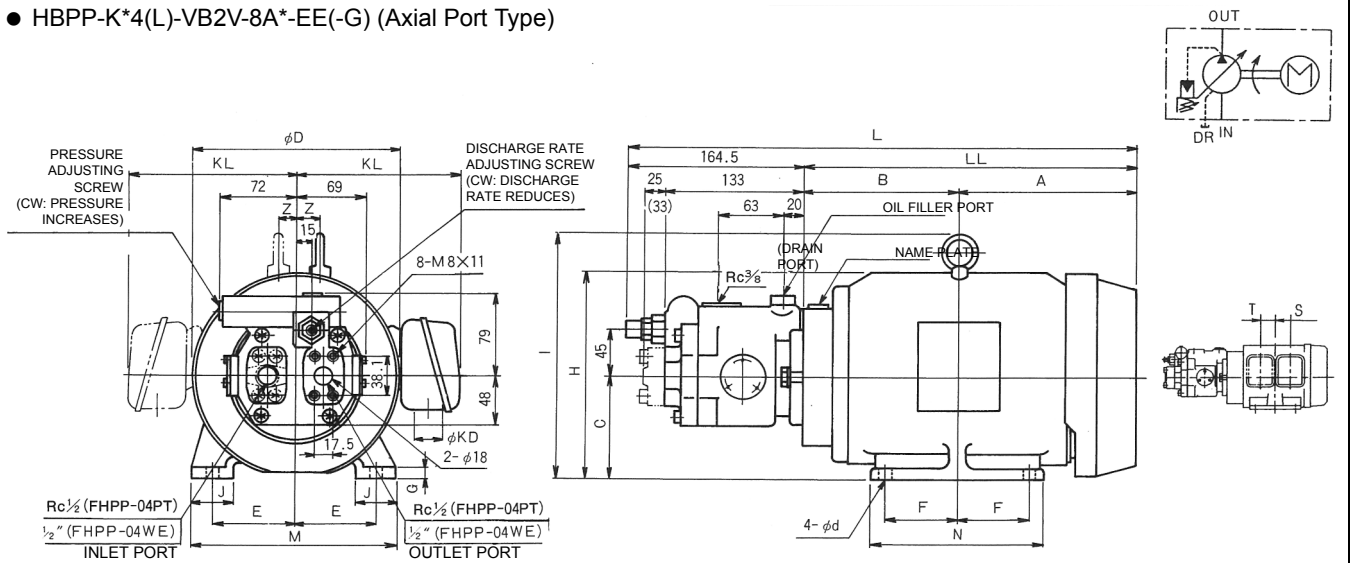
● HBPP-K*4(L)-VB2V-8A*(-G) (Side Port Type)



NOTE: DIMENSIONS IN PARENTHESES ARE THE DIMENSIONS OF THE WELDING TYPE FLANGE AND THOSE NOT IN PARENTHESES ARE THE DIMENSIONS OF THE RC THREAD TYPE FLANGE.
 ● FOR THE PIPING FLANGE DIMENSION TABLE, REFER TO PAGE 17.
 WHEN FIRE-RESISTANT FLUID IS USED, SPECIFY "G" (WATER-GLYCOL FLUID) AT THE END OF MODEL DESIGNATION. IN THIS CASE, THE MAXIMUM SPEED IS 1,800 min⁻¹.

Type	A	B	C	D	E	F	G	H	I	J	L	LL	M	N	KD	KL	d	S	T	Z	Mass (kg)
HBPP-KB4(L)-VB2V-8A*	126.5	120	80	161	62.5	50	9	163	-	35	411	246.5	160	127	22	128	10 × 20	37	37	-	21
HBPP-KC4(L)-VB2V-8A*	143	135.5	90	198	70	62.5	10	190	-	40	443	278.5	176	150	27	147	10 × 12	-	-	-	27.1
HBPP-KD4(L)-VB2V-8A*	157.5	150	100	198	80	70	12	200	-	40	472	307.5	200	168	27	147	12 × 14	-	-	-	33.1

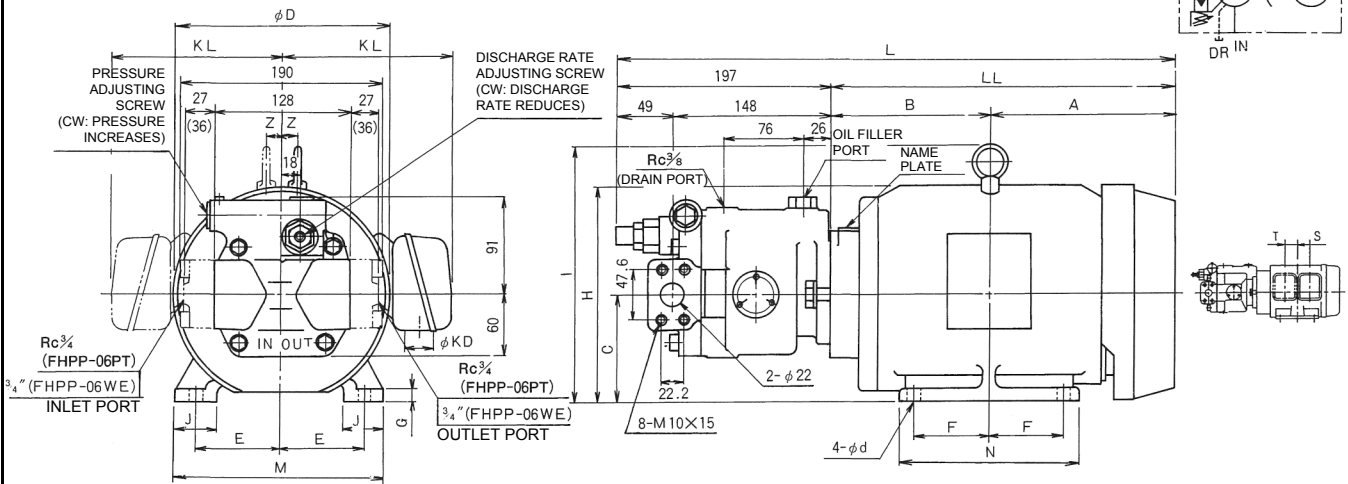
● HBPP-K*4(L)-VB2V-8A*-EE(-G) (Axial Port Type)



NOTE: DIMENSIONS IN PARENTHESES ARE THE DIMENSIONS OF THE WELDING TYPE FLANGE AND THOSE NOT IN PARENTHESES ARE THE DIMENSIONS OF THE RC THREAD TYPE FLANGE.
 ● FOR THE PIPING FLANGE DIMENSION TABLE, REFER TO PAGE 17.
 WHEN FIRE-RESISTANT FLUID IS USED, SPECIFY "G" (WATER-GLYCOL FLUID) AT THE END OF MODEL DESIGNATION. IN THIS CASE, THE MAXIMUM SPEED IS 1,800 min⁻¹.

Model	A	B	C	D	E	F	G	H	I	J	L	LL	M	N	KD	KL	d	S	T	Z	Mass (kg)
HBPP-KB4(L)-VB2V-8A*-EE	126.5	120	80	161	62.5	50	9	163	-	35	411	246.5	160	127	22	128	10 × 20	37	37	-	21
HBPP-KC4(L)-VB2V-8A*-EE	143	135.5	90	198	70	62.5	10	190	-	40	443	278.5	176	150	27	147	10 × 12	-	-	-	27.1
HBPP-KD4(L)-VB2V-8A*-EE	157.5	150	100	198	80	70	12	200	-	40	472	307.5	200	168	27	147	12 × 14	-	-	-	33.1

● HBPP-K*4(L)-VC2V-14A*-A(-G) (Side Port Type)



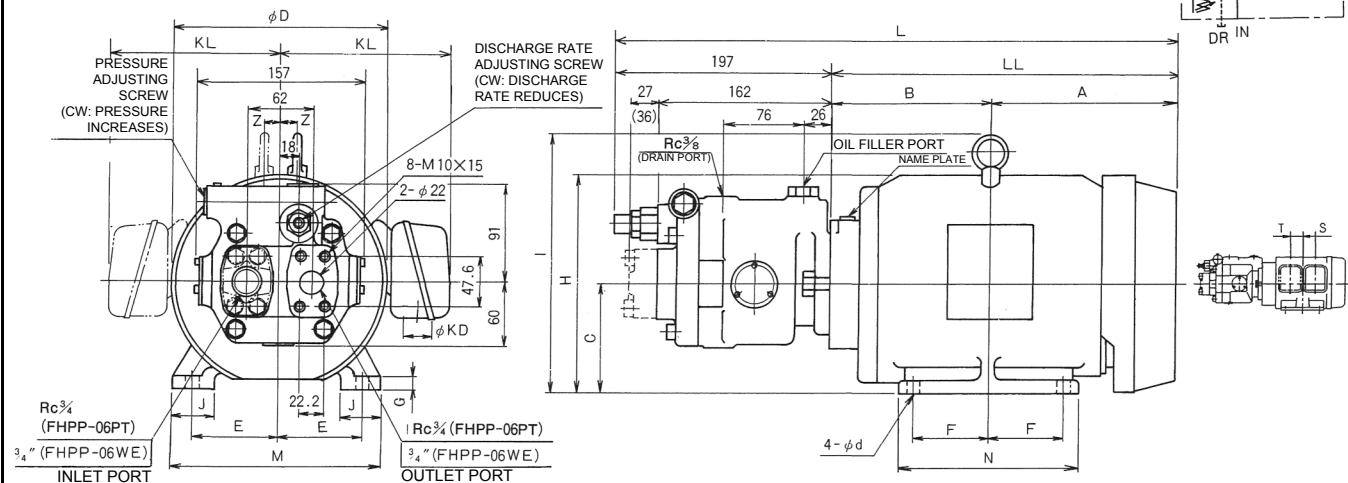
NOTE: DIMENSIONS IN PARENTHESES ARE THE DIMENSIONS OF THE WELDING TYPE FLANGE AND THOSE NOT IN PARENTHESES ARE THE DIMENSIONS OF THE RC THREAD TYPE FLANGE.

● FOR THE PIPING FLANGE DIMENSION TABLE, REFER TO PAGE 17.

WHEN FIRE-RESISTANT FLUID IS USED, SPECIFY "G" (WATER-GLYCOL FLUID) AT THE END OF MODEL DESIGNATION. IN THIS CASE, THE MAXIMUM SPEED IS 1,800 min^{-1} .

Model	A	B	C	D	E	F	G	H	I	J	L	LL	M	N	KD	KL	d	S	T	Z	Mass (kg)
HBPP-KB4(L)-VC2V-14A*-A	126.5	120	80	161	62.5	50	9	163	-	35	442.5	246.5	160	127	22	128	10 × 20	37	37	-	25
HBPP-KC4(L)-VC2V-14A*-A	143	135.5	90	198	70	62.5	10	190	-	40	475.5	278.5	176	150	27	147	10 × 12	-	-	-	31.5
HBPP-KD4(L)-VC2V-14A*-A	157.5	150	100	198	80	70	12	200	-	40	504.5	307.5	200	168	27	147	12 × 14	-	-	-	37.5
HBPP-KE4(L)-VC2V-14A*-A	186	150	112	214	95	70	12	-	261	40	533	336	220	168	27	154	12 × 14	-	-	0	40.5
HBPP-KF4(L)-VC2V-14A*-A	210.5	160	132	252	108	70	15	-	303	50	567.5	370.5	260	175	35	189	12 × 14	-	-	0	51.5

● HBPP-K*4(L)-VC2V-14A*-EE-A(-G) (Axial Port Type)



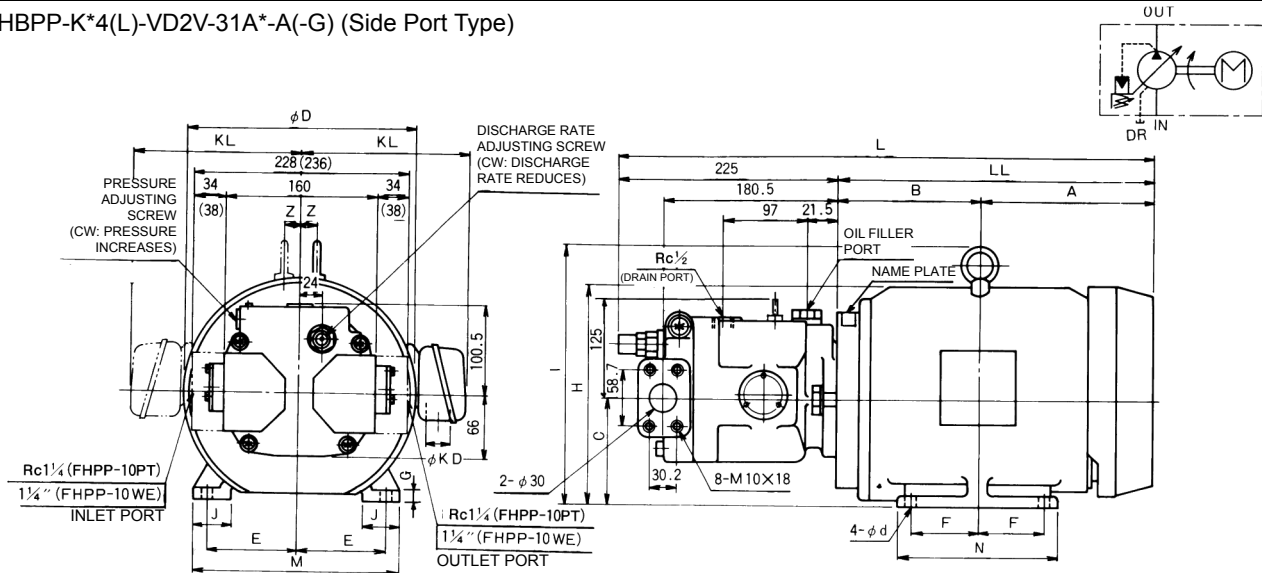
NOTE: DIMENSIONS IN PARENTHESES ARE THE DIMENSIONS OF THE WELDING TYPE FLANGE AND THOSE NOT IN PARENTHESES ARE THE DIMENSIONS OF THE RC THREAD TYPE FLANGE.

● FOR THE PIPING FLANGE DIMENSION TABLE, REFER TO PAGE 17.

WHEN FIRE-RESISTANT FLUID IS USED, SPECIFY "G" (WATER-GLYCOL FLUID) AT THE END OF MODEL DESIGNATION. IN THIS CASE, THE MAXIMUM SPEED IS 1,800 min^{-1} .

Model	A	B	C	D	E	F	G	H	I	J	L	LL	M	N	KD	KL	d	S	T	Z	Mass (kg)
HBPP-KB4(L)-VC2V-14A*-EE-A	126.5	120	80	161	62.5	50	9	163	-	35	443.5	246.5	160	127	22	128	10 × 20	37	37	-	25
HBPP-KC4(L)-VC2V-14A*-EE-A	143	135.5	90	198	70	62.5	10	190	-	40	475.5	278.5	176	150	27	147	10 × 12	-	-	-	31.5
HBPP-KD4(L)-VC2V-14A*-EE-A	157.5	150	100	198	80	70	12	200	-	40	504.5	307.5	200	168	27	147	12 × 14	-	-	-	37.5
HBPP-KE4(L)-VC2V-14A*-EE-A	186	150	112	214	95	70	12	-	261	40	533	336	220	168	27	154	12 × 14	-	-	0	40.5
HBPP-KF4(L)-VC2V-14A*-EE-A	210.5	160	132	252	108	70	15	-	303	50	567.5	370.5	260	175	35	189	12 × 14	-	-	0	51.5

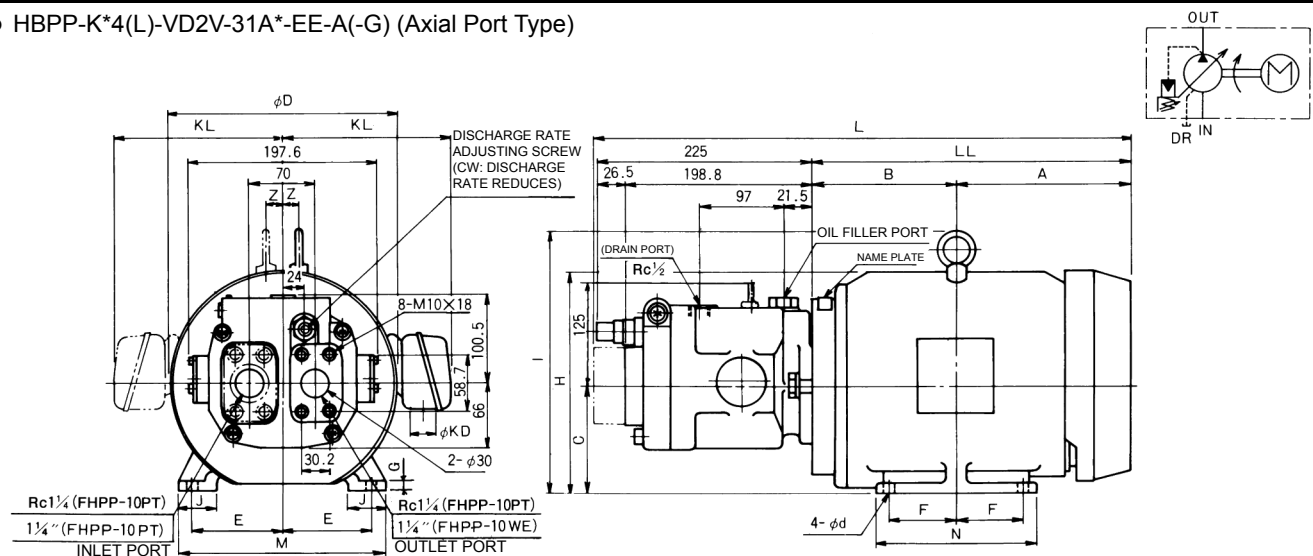
● HBPP-K*4(L)-VD2V-31A*-A(-G) (Side Port Type)



NOTE: DIMENSIONS IN PARENTHESES ARE THE DIMENSIONS OF THE WELDING TYPE FLANGE AND THOSE NOT IN PARENTHESES ARE THE DIMENSIONS OF THE RC THREAD TYPE FLANGE.
 ● FOR THE PIPING FLANGE DIMENSION TABLE, REFER TO PAGE 21.
 WHEN FIRE-RESISTANT FLUID IS USED, SPECIFY "G" (WATER-GLYCOL FLUID) AT THE END OF MODEL DESIGNATION.
 IN THIS CASE, THE MAXIMUM SPEED IS 1,800 min⁻¹.

Model	A	B	C	D	E	F	G	H	I	J	L	LL	M	N	KD	KL	d	Z	Mass (kg)
HBPP-KD4(L)-VD2V-31A*-A	157.5	150	100	198	80	70	12	200	-	40	532.5	307.5	200	168	27	147	12 × 14	-	47.5
HBPP-KE4(L)-VD2V-31A*-A	186	150	112	214	95	70	12	-	261	40	561	336	220	168	27	154	12 × 14	0	50.5
HBPP-KF4(L)-VD2V-31A*-A	210.5	170	132	252	108	70	15	-	303	50	605.5	380.5	260	175	35	189	12 × 14	0	67.5
HBPP-KG4(L)-VD2V-31A*-A	229.5	189	132	252	108	89	15	-	303	50	643.5	418.5	260	213	35	189	12 × 14	0	67.5

● HBPP-K*4(L)-VD2V-31A*-EE-A(-G) (Axial Port Type)



NOTE: DIMENSIONS IN PARENTHESES ARE THE DIMENSIONS OF THE WELDING TYPE FLANGE AND THOSE NOT IN PARENTHESES ARE THE DIMENSIONS OF THE RC THREAD TYPE FLANGE.
 ● FOR THE PIPING FLANGE DIMENSION TABLE, REFER TO PAGE 21.
 WHEN FIRE-RESISTANT FLUID IS USED, SPECIFY "G" (WATER-GLYCOL FLUID) AT THE END OF MODEL DESIGNATION.
 IN THIS CASE, THE MAXIMUM SPEED IS 1,800 min⁻¹.

Model	A	B	C	D	E	F	G	H	I	J	L	LL	M	N	KD	KL	d	Z	Mass (kg)
HBPP-KD4(L)-VD2V-31A*-EE-A	157.5	150	100	198	80	70	12	200	-	40	540(544)	307.5	200	168	27	147	2 × 14		47.5
HBPP-KE4(L)-VD2V-31A*-EE-A	186	150	112	214	95	70	12	-	261	40	568.5(572.5)	336	220	168	27	154	12 × 14	0	50.5
HBPP-KF4(L)-VD2V-31A*-EE-A	210.5	170	132	252	108	70	15	-	303	50	613(617)	380.5	260	175	35	189	12 × 14	0	67.5
HBPP-KG4(L)-VD2V-31A*-EE-A	229.5	189	132	252	108	89	15	-	303	50	651(655)	418.5	260	213	35	189	12 × 14	0	67.5