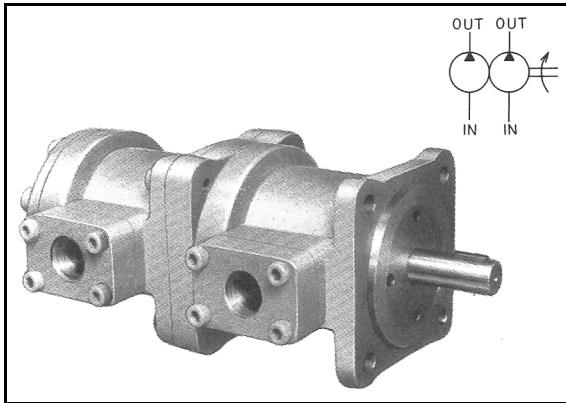


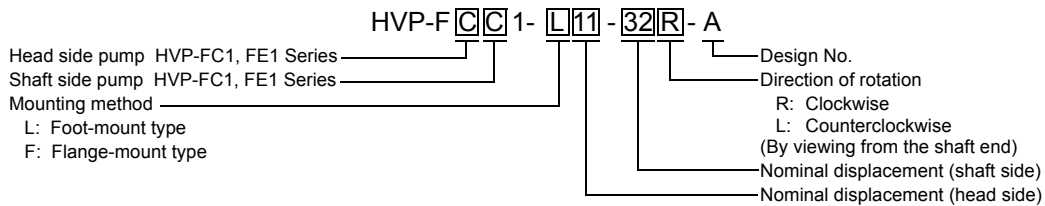
# FIXED-DISPLACEMENT DOUBLE VANE PUMP (HVP-FCC1, FCE1, FEE1 SERIES)



Two pumps (HVP-FC1, HVP-FE1 series) are assembled as a unit and driven by one motor.  
Pumps are usually arranged so that the pump with the larger capacity is located at the shaft side. The fluid pumped from the two pumps can be delivered to separate circuits to drive individual actuators or can be merged to drive a single actuator.

- The standard direction of rotation is clockwise, viewed from the shaft end.
- For the specifications of the individual pump, refer to page 6 and page 7.
- The symbol "\*" in the model designation indicates the nominal displacement and pumps are arranged so that the pump with the larger capacity is installed at the shaft side.
- When using the HVP-FCC1 series double vane pump, the pumps must be operated within  $1,200 \text{ min}^{-1}$  / 11 kW and  $1,800 \text{ min}^{-1}$  / 15 kW, respectively.
- When using the HVP-FCE1 series double vane pump, the pumps must be operated within  $1,000 \text{ min}^{-1}$  / 18 kW and  $1,200 \text{ min}^{-1}$  / 22 kW, respectively.
- When using the HVP-FEE1 series double vane pump, the pumps must be operated within  $1,000 \text{ min}^{-1}$  / 18 kW and  $1,200 \text{ min}^{-1}$  / 22 kW, respectively.
- Nominal displacement values in the specification table (Max. and Min. columns): The upper row indicates the value of the head side pump and lower row indicates the value of the shaft side pump.
- The pump can be used for R&O type and abrasion-resistant type hydraulic fluid applications.
- When fire-resistant fluid is used, specify "G" (water-glycol fluid) at the end of model designation. In this case, the maximum speed is  $1,200 \text{ min}^{-1}$ . Please consult us about the applicable brand of water-glycol fluid.
- The flange-mount style pipe connection port allows installation/removal of a pump without disconnecting pipes.
- It is possible to change the direction of pump rotation. For details, please consult us.
- The permissible operating ambient temperature range is from 0 to  $60^\circ\text{C}$ .

## MODEL DESIGNATION

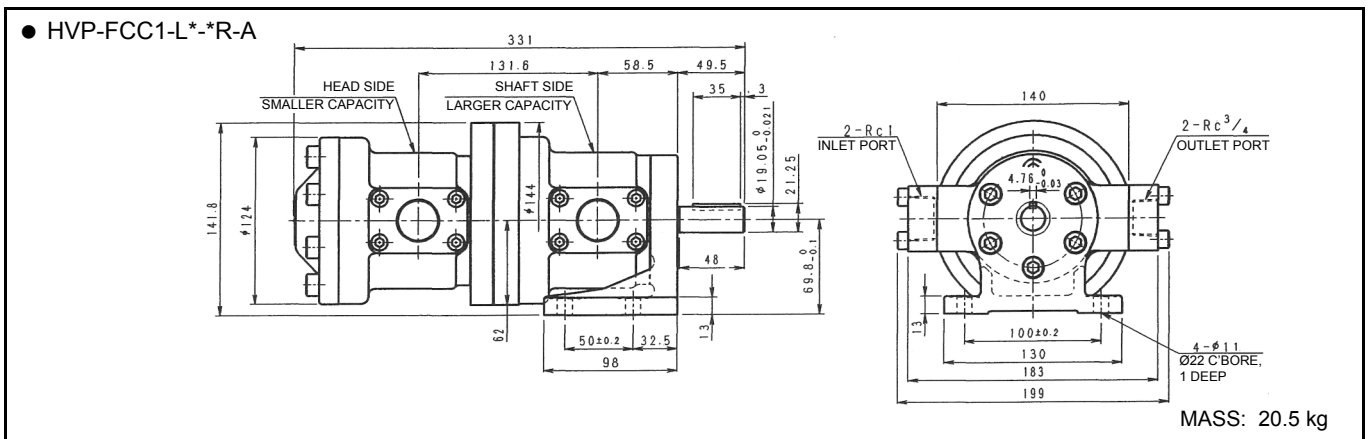


## SPECIFICATIONS

20 mm<sup>2</sup>/s

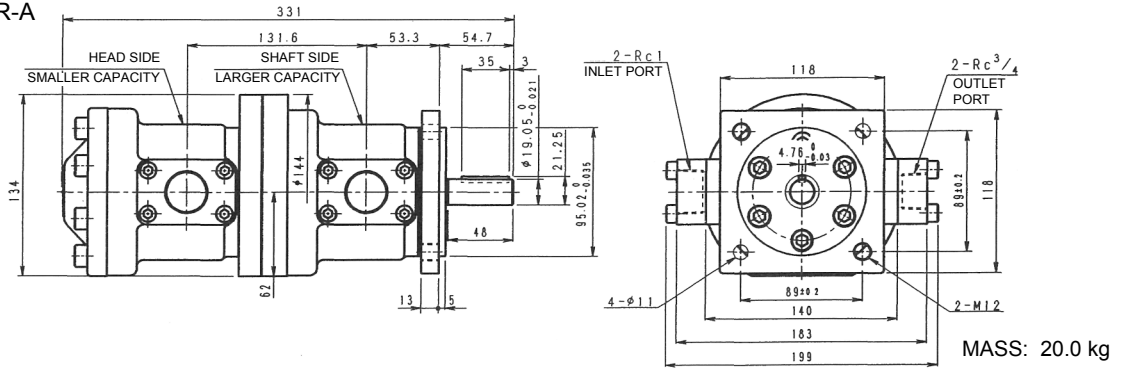
Model		Nominal Displacement		Pressure (MPa)		Speed (min <sup>-1</sup> )		
Foot-mount Type	Flange-mount Type	Min.	Max.	Rating	Max.	Rating	Max.	Min.
HVP-FCC1-L*-R-A	HVP-FCC1-F*-R-A	5	39	7	7	1,800	1,800	600
HVP-FCE1-L*-R-A	HVP-FCE1-F*-R-A	5	39					
HVP-FEE1-L*-R-A	HVP-FEE1-F*-R-A	50	120			1,200	1,500	

## EXTERNAL DIMENSIONS

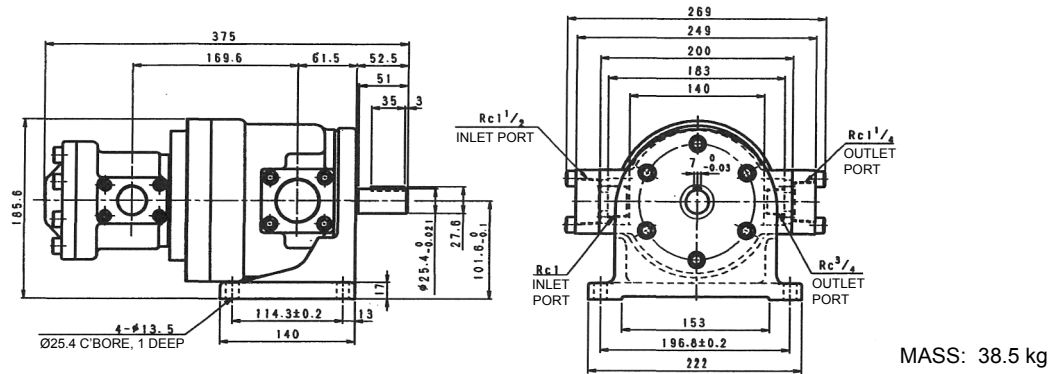


# EXTERNAL DIMENSIONS

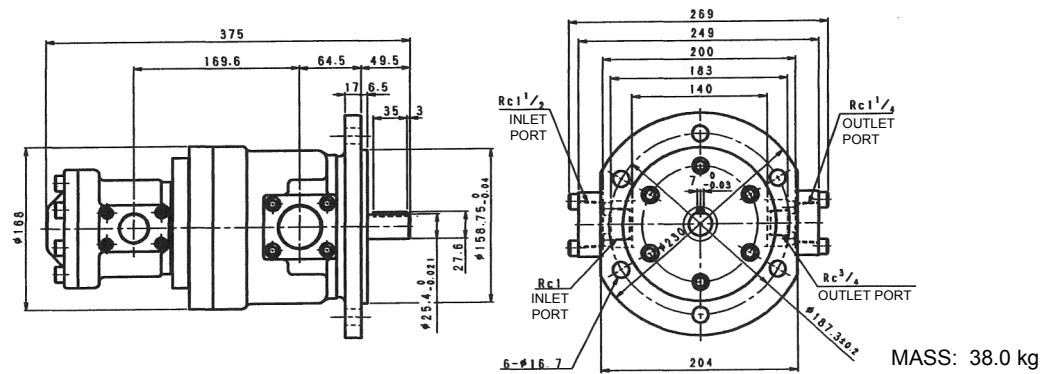
● HVP-FCC1-F\*-\*R-A



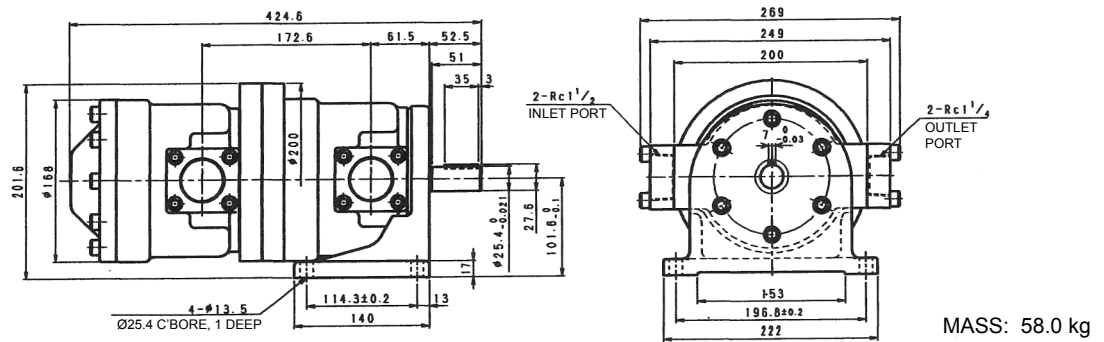
● HVP-FCE1-L\*-\*R-A



● HVP-FCE1-F\*-\*R-A



● HVP-FEE1-L\*-\*R-A



● HVP-FEE1-F\*-\*R-A

